

OPEL COMBO CARGO /

Price and Specification Guide | Ireland | April 2022

[FIND OUT MORE](#)



O P E L

CONTENTS

DISCOVER THE OPEL COMBO CARGO.

A multi-award winner, the Opel Combo Cargo boasts fuel-efficient engines, excellent flexibility and versatility, and superior levels of comfort and safety innovations. Built for moving people and cargo, the Combo Cargo fits perfectly into everyday life.

Range and prices

In-car technology and entertainment

Colours

Safety and security

Exterior styling and features

Technical Data

Comfort and convenience

Lighting and visibility

Interior styling and features

Trims, colours, wheels and tyres



E&OE April 2022.

The content in this specification and price guide is for information purposes only. Our products are continually updated and changes may be made to the specifications at any time. If you require any specific feature, you must consult your authorised Opel Dealer who is regularly updated with any change in specification. Specifications are subject to change without notice. Images are used for illustrative purposes only. Vehicles illustrated may not necessarily reflect the correct specification. Contact your local Opel dealer for details.

SUMMARY EQUIPMENT BY TRIM

OPEL COMBO CARGO SPORTIVE (Automatic Versions)

Safety and security

Passenger airbag
Enhanced traffic sign recognition sensor indicator
Keyless entry

Comfort & Convenience

Leather steering wheel

In-Car Technology & Entertainment

3.5" colour instrument display
5" touchscreen

Lighting & Visibility

Headlamps high beam auto control
Rain sensitive front windscreen wipers

OPEL COMBO CARGO SPORTIVE (Manual Versions)

Safety and security

Electronic cruise control + speed limiter

Comfort & Convenience

Steering column reach and rake adjustment
Steering wheel audio / phone / cruise control controls
Manual air conditioning

Exterior Styling & Features

Body colour door handles
Body colour front and rear bumpers

Lighting & Visibility

Front fog lamps
Rear parking sensors

OPEL COMBO CARGO EDITION

Safety and security

Driver's airbag
ABS, ESP, Electronic Brake Force Distribution
Full size spare wheel
Solid bulkhead with trapdoor
Electric parking brake

Comfort & Convenience

Steering column reach and rake adjustment
Heater with particle and odour filter
Manual 6-way driver's seat adjustment: fore / aft, up / down, reclining seat
Manual 2-way driver seat lumbar adjustment with driver seat armrest
Electrically operated driver and passenger windows

Interior Features

Mistral Gray Base cloth seat interior trim

In-Car Technology & Entertainment

DAB digital radio
Bluetooth + USB connectivity

Exterior Styling & Features

Black door handles + side mirrors
Black front and rear bumpers
16" steel wheels
Left hand side sliding door (L1H1 bodystyle)
Left hand and right hand side sliding doors (L2H1 bodystyle)

Lighting & Visibility

Halogen front headlamps
Automatic headlamp control (auto light switch)

YOUR NEW COMBO IN DETAIL: SAFETY & SECURITY

SAFETY / SECURITY FEATURES	EDITION		SPORTIVE		
	1.5 TURBO 100HP L1H1	1.5 TURBO 100HP L2H1	1.5 TURBO 100HP L1H1	1.5 TURBO 100HP L2H1	1.5 TURBO 130HP AUTO L1H1
ABS / Electronic Stability Programme (ESP) / Electronic Braking Distribution (EBD)	•	•	•	•	•
Driver's airbag	•	•	•	•	•
Passenger airbag					•
Electronic cruise control with speed limiter			•	•	•
Enhanced Traffic Sign Recognition sensor indicator					•
Remote central locking	•	•	•	•	•
Keyless Entry					•
Two-keys: foldable	•	•	•	•	•
Electric parking brake	•	•	•	•	•
Driver / passenger seat belt warning indicator	•	•	•	•	•
Double locking latch mechanical theft deterrent	•	•	•	•	•
Theft deterrent body security content: dead locking for passenger and rear area inc sliding doors	•	•	•	•	•
Spare wheel	•	•	•	•	•
Seat belt pre-tensioner	•	•	•	•	•
Driver and passenger 2-way adjustment head restraints	•	•	•	•	•
Solid bulkead with trapdoor	•	•	•	•	•

YOUR NEW COMBO IN DETAIL: COMFORT & CONVENIENCE

COMFORT & CONVENIENCE FEATURES	EDITION		SPORTIVE		
	1.5 TURBO 100HP L1H1	1.5 TURBO 100HP L2H1	1.5 TURBO 100HP L1H1	1.5 TURBO 100HP L2H1	1.5 TURBO 130HP AUTO L1H1
Power-assisted steering	•	•	•	•	•
Sport 3-wheel spoke steering wheel	•	•	•	•	•
Leather steering wheel					•
Steering colum adjustable for reach / rake	•	•	•	•	•
Steering wheel audio / phone / cruise controls			•	•	•
Heater with particle and odour filter	•	•			
Manual air conditioning: with particle and odour filter			•	•	•
Manual 6-way driver's seat adjustment: fore/aft, up/down with reclining seat back	•	•	•	•	•
Manual 2-way driver's seat lumbar adjustment with armrest	•	•	•	•	•
Electrically operated driver and passenger windows	•	•	•	•	•

YOUR NEW COMBO IN DETAIL: INTERIOR FEATURES

INTERIOR FEATURES	EDITION		SPORTIVE		
	1.5 TURBO 100HP L1H1	1.5 TURBO 100HP L2H1	1.5 TURBO 100HP L1H1	1.5 TURBO 100HP L2H1	1.5 TURBO 130HP AUTO L1H1
Driver sunvisor with illuminated vanity mirror	•	•	•	•	•
Passenger sunvisors without vanity mirror	•	•	•	•	•
Mistral Gray Base cloth seat trim	•	•	•	•	•
Passenger bench seat	•	•	•	•	•
Passenger seat back table tray: folding	•	•	•	•	•

YOUR NEW COMBO IN DETAIL: IN-CAR TECHNOLOGY & ENTERTAINMENT

IN-CAR TECHNOLOGY & ENTERTAINMENT FEATURES	EDITION		SPORTIVE		
	1.5 TURBO 100HP L1H1	1.5 TURBO 100HP L2H1	1.5 TURBO 100HP L1H1	1.5 TURBO 100HP L2H1	1.5 TURBO 130HP AUTO L1H1
Trip computer	•	•	•	•	•
Speedometer and rev counter	•	•	•	•	•
Fuel gauge with low-fuel warning light	•	•	•	•	•
DAB digital radio	•	•	•	•	•
LCD text instrument panel	•	•	•	•	
3.5" colour instrument display					•
Bluetooth®	•	•	•	•	•
USB audio connection: frt console	•	•	•	•	•
5" black and white touchscreen					•
Four speakers	•	•	•	•	•
12V power outlet					
Four speakers	•	•	•	•	•

YOUR NEW COMBO IN DETAIL: EXTERIOR STYLING & FEATURES

EXTERIOR STYLING & FEATURES	EDITION		SPORTIVE		
	1.5 TURBO 100HP L1H1	1.5 TURBO 100HP L2H1	1.5 TURBO 100HP L1H1	1.5 TURBO 100HP L2H1	1.5 TURBO 130HP AUTO L1H1
Black door handles	•	•			
Body colour door handles			•	•	•
Black side mirrors	•	•	•	•	•
Black side window mouldings	•	•	•	•	•
Black front and rear bumpers	•	•			
Body-colour front and rear bumpers			•	•	•
16" steel wheel	•	•	•	•	•
Left hand side sliding door	•	•	•	•	•
Right hand side sliding door		•		•	

YOUR NEW COMBO IN DETAIL: LIGHTING & VISIBILITY


LIGHTING & VISIBILITY FEATURES	EDITION		SPORTIVE		
	1.5 TURBO 100HP L1H1	1.5 TURBO 100HP L2H1	1.5 TURBO 100HP L1H1	1.5 TURBO 100HP L2H1	1.5 TURBO 130HP AUTO L1H1
Halogen front headlamps	•	•	•	•	•
Front fog lights			•	•	•
Automatic headlamp control (auto light switch)	•	•	•	•	•
Headlamps high beam auto control					•
Rain-sensitive windscreen wipers					•
Rear parking distance sensors			•	•	•

INTERIOR TRIM*



Mistral Gray Base cloth interior trim standard on Edition and Sportive models.

WHEELS & TYRES

WHEELS	EDITION		SPORTIVE		
	1.5 TURBO 100HP L1H1	1.5 TURBO 100HP L2H1	1.5 TURBO 100HP L1H1	1.5 TURBO 100HP L2H1	1.5 TURBO 130HP AUTO L1H1
 <ul style="list-style-type: none"> 16" silver steel wheel 205 / 60 R 16 tyres Full size spare wheel included 	•	•	•	•	•

E&OE April 2022. *Model shown for illustration purposes only and may include optional extras.

OPEL COMBO CARGO /

CHOOSE YOUR EXTERIOR COLOUR



White Jade
Solid



Black
Two coat metallic*



Quartz Grey
Two coat metallic*



Moonstone Grey
Two coat metallic*

E&OE April 2022. Images shown for illustration purposes only. Please discuss colours available with your local Opel Dealer. *Optional at extra cost. Standard paint at no optional extra cost. Due to the limitations of the printing process, the colours reproduced may vary slightly from the actual paint colour and trim material. As a result, they should be used as a guide only. Your Opel dealer has a comprehensive display of paint finishes.

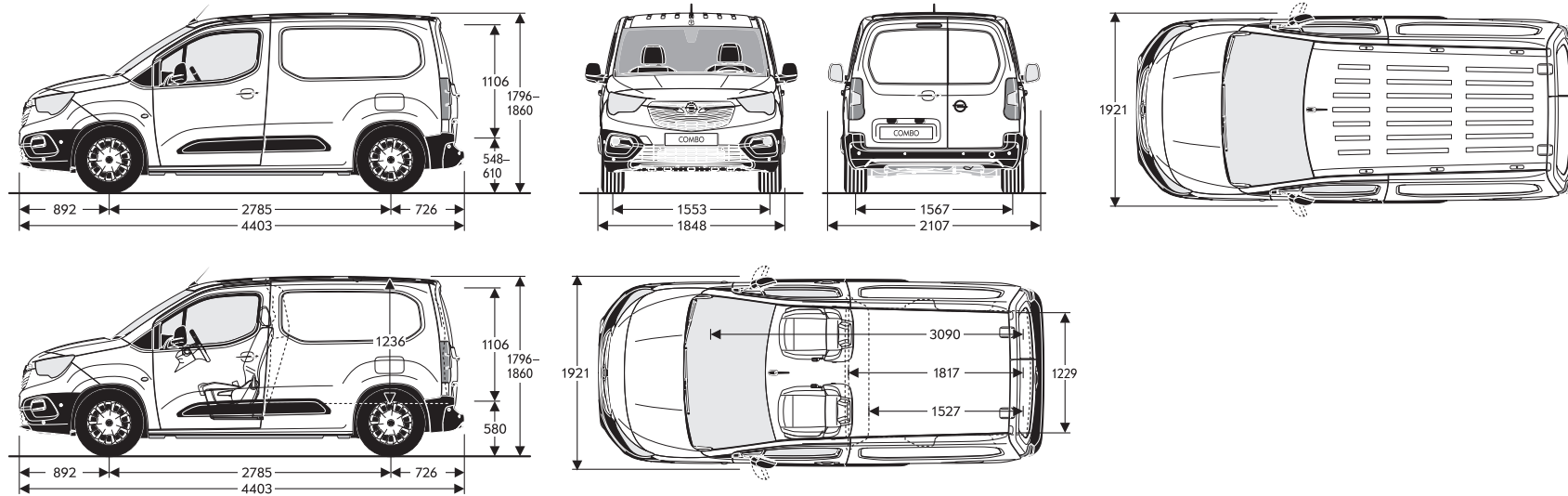
ENGINES: PERFORMANCE, FUEL ECONOMY AND EMISSIONS

	1.5 100HP TURBO START STOP	1.5 120HP TURBO START STOP
Capacity	1499cc	1496cc
Maximum power	100hp (75kW) @ 3500rpm	130bhp (96kW) @ 3750rpm
Maximum torque	250Nm (184 lb.ft) @ 1750rpm	300Nm (221 lb.ft) @ 1750rpm
Configuration	4 cylinders, 4 valves per cylinder, double overhead camshafts	4 cylinders, 4 valves per cylinder, double overhead camshafts
Transmission	6-speed manual	8-speed automatic
Fuel / induction system	Turbocharger. Direct fuel injection	Turbocharger. Direct fuel injection
Fuel tank capacity	50 litres (17 litres AdBlue)	50 litres (17 litres Adblue)
Emission compliance	EURO 6d (6.3)	EURO 6d (6.3)
Service interval	30,000km or 1-year (whichever occurs soonest)	30,000km or 1-year (whichever occurs soonest)
Steering	Speed-sensitive electric power-assisted system	
Brakes	Anti-lock braking system (ABS): Electronic Stability Programme: Electronic Brake Force Distribution	
Fuel economy (litres/100km)* Combined low: high	5.4: 6.0	5.8: 6.2
CO2 emissions (g/km)* Combined low: high	140: 158	151: 162
WEIGHTS		
Gross Vehicle Weight (KG)	1885 L1H1: 2355 L2H1	2380
Maximum Indicative Payload (KG)	665 L1H1: 953 L2H1	950

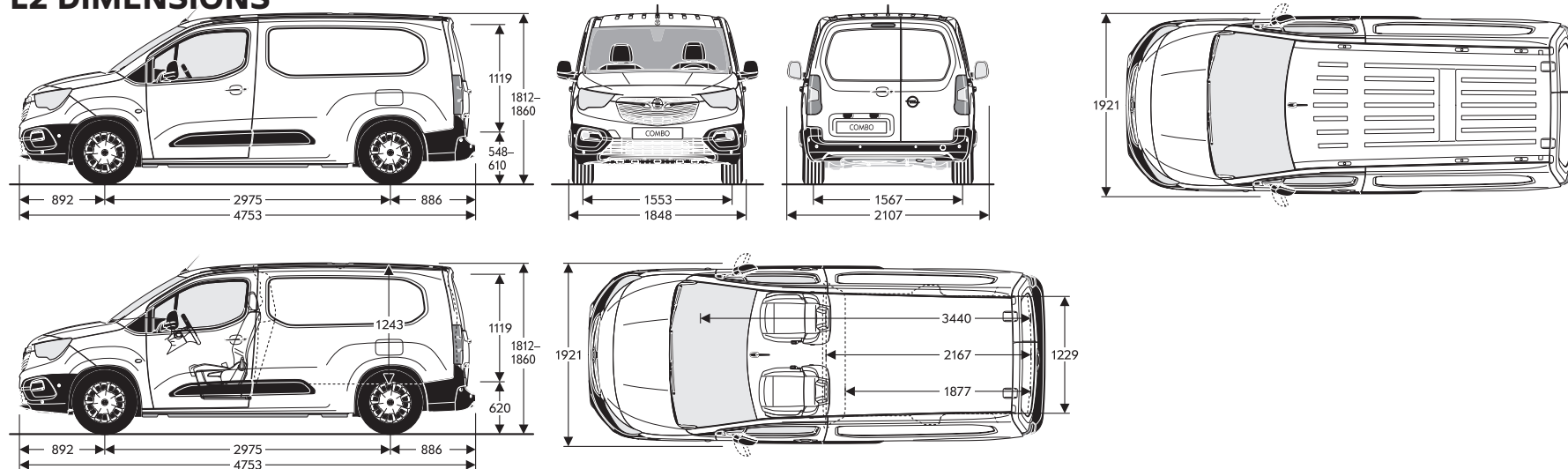
E & OE April 2022. *Fuel consumption figures are determined according to the WLTP test cycle. The fuel consumption you achieve under real life driving conditions and CO2 produced will depend upon a number of factors, including the accessories fitted after registration, variations in driving styles, weather conditions and vehicle load. Only compare fuel consumption and CO2 with other vehicles tested using the same technical procedures. For more information contact your local Opel Dealer. All diesel models feature BlueInjection. Vehicles with BlueInjection technology will need regular AdBlue® top-ups also between servicing requirements. An indicator integrated into the on-board computer will warn you when you need to top up. More information see www.opel.ie/adblue. In accordance with regulations R (EC) No. 715/2007 and R (EC) No. 692/2008 (in the versions respectively applicable).

DIMENSIONS AND CAPACITIES

L1 DIMENSIONS



L2 DIMENSIONS





O P E L